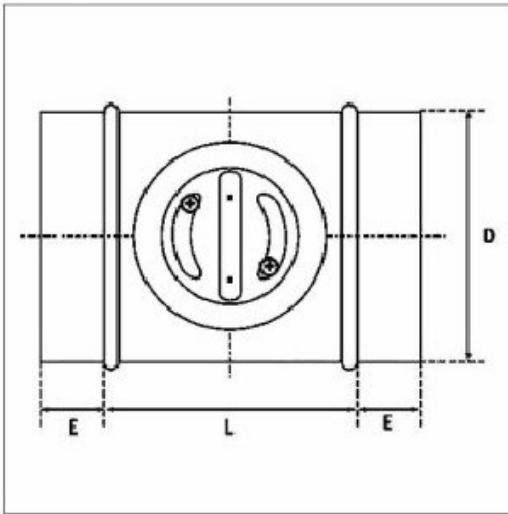


**Regelklep**  
**Registre**  
**Regulating damper**  
**Drosselklappe**  
**Registro de regulación**  
**Serrande**



## Afmetingen - Dimensions - Dimensions - Dimensionen

| Diam.<br>Diam.<br>Size<br>Durchm. | L   | E  | Doos<br>Boîte<br>Box<br>Karton | St / doos<br>Pce / boîte<br>Pce / box<br>St / Karton |
|-----------------------------------|-----|----|--------------------------------|--|
| 80                                | 90  | 40 | P6                             | 60   |
| 100                               | 90  | 40 | P6                             | 40   |
| 125                               | 90  | 40 | P6                             | 27   |
| 150                               | 90  | 40 | P4                             | 30   |
| 160                               | 90  | 40 | P4                             | 24   |
| 180                               | 90  | 40 | P4                             | 20   |
| 200                               | 90  | 40 | P2                             | 36   |
| 224                               | 140 | 45 | P1                             | 60   |
| 250                               | 140 | 45 | P1                             | 36   |
| 280                               | 140 | 45 | P1                             | 32   |
| 300                               | 140 | 45 | P1                             | 25   |
| 315                               | 140 | 45 | P1                             | 25   |
| 355                               | 140 | 45 | P1                             | 20   |
| 400                               | 140 | 45 | P1                             | 15   |